

# E7S-PLC

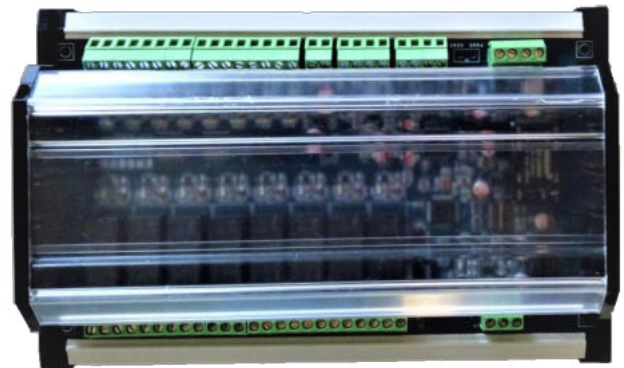
## Programmable Logic Controller

### Generalities

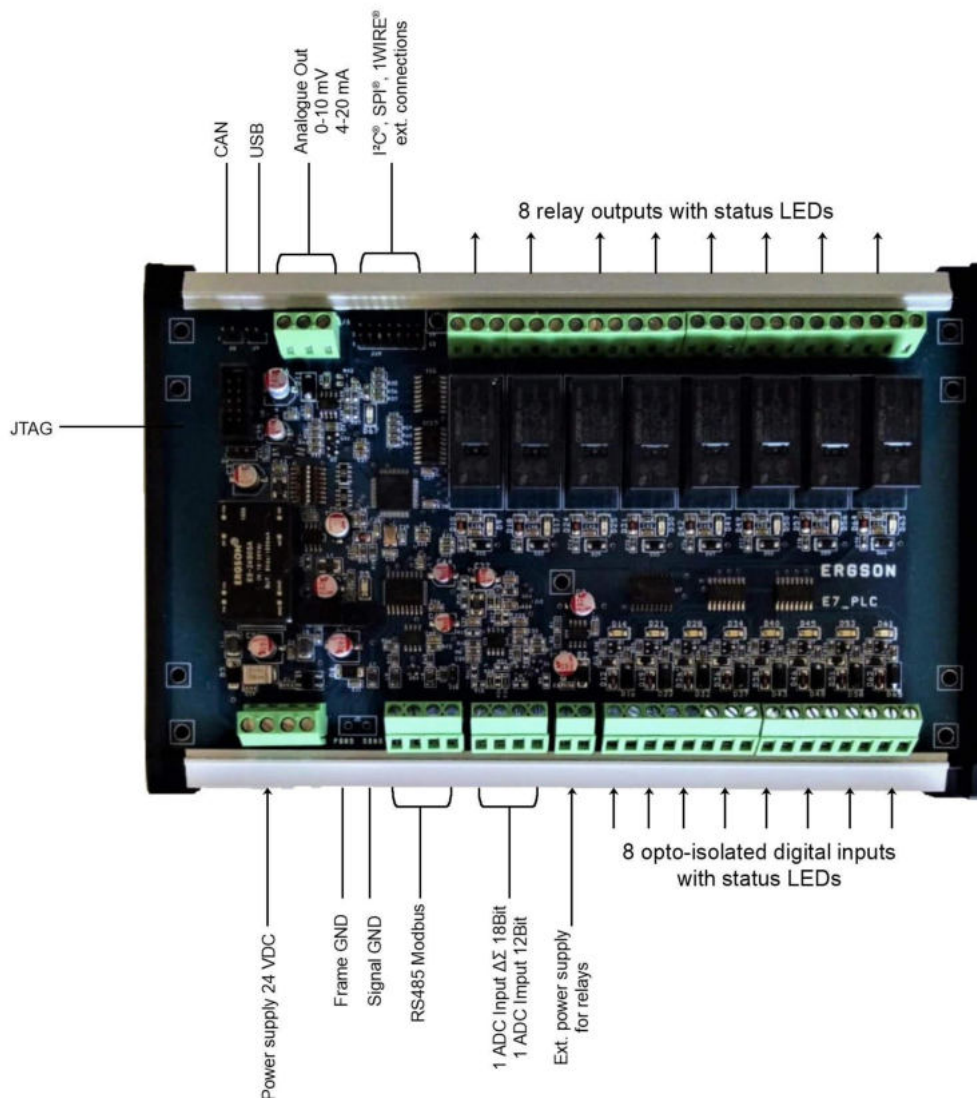
The **Ergson E7S** is a programmable logic controller unit for automation, control and monitoring of processes.

It is carefully designed for various industrial applications. The modular device is mounted in a panel housing.

It has 8 digital and 1 analog I/O modules for connection to sensors and actuators. It has peripheral built-in communication ports such as RS485, UART, USB, CAN BUS, SPI and I2C.



### Features



**Technical Data**

Item	E7S PLC
Enclosure	Mounted in a panel
Dimensions	221 mm x 138,5 mm x 75 mm (length x width x height)
Peripheral Outputs	8 relay outputs 16 A (rated 250VAC , 120 VAC, 30VDC) each, optocoupler isolated from the main circuit with external separated power supply. Status LEDs show the activity.
Peripheral analogue Outputs	U/I: 0–10V, 4 -20mA , with external separated PS
Peripheral Inputs	8 galvanically opto-isolated digital inputs (triggered by 5-24V DC) with status LEDs for showing the activity.
Peripheral Analogue Inputs	U/I : 0–10V , 0-20mA, 4-20mA
ADC Input	1 ADC input 18 bits of resolution low-noise, high accuracy $\Delta\Sigma$ A/D converter with differential inputs, on-board precision 2.048V reference voltage, self calibration of internal offset and gain per each conversion, on-board programmable gain amplifier (PGA).  1 ADC input 12-bit analog-to-digital performs conversions in single-shot or scan modes. In scan mode, automatic conversion is performed.
Communication Port	RS485 isolated serial communication port (MODBUS RTU)
External Communication Port	UART port for external serial communications
Peripheral USB Port	USB Full-speed device
Peripheral Bus Port	CAN Bus port connection
Device Interface Connections	SPI port connection I2C port connection
Customer Options	<ul style="list-style-type: none"> <li>- 1wire communication module for long line connection wich allows 100s of 1wire sensors.</li> <li>- High precision 24bit ADC module for direct load cell connections which allows weighing and batching applications.</li> <li>- Custom modules can be prepared.</li> </ul>

Version 2.4