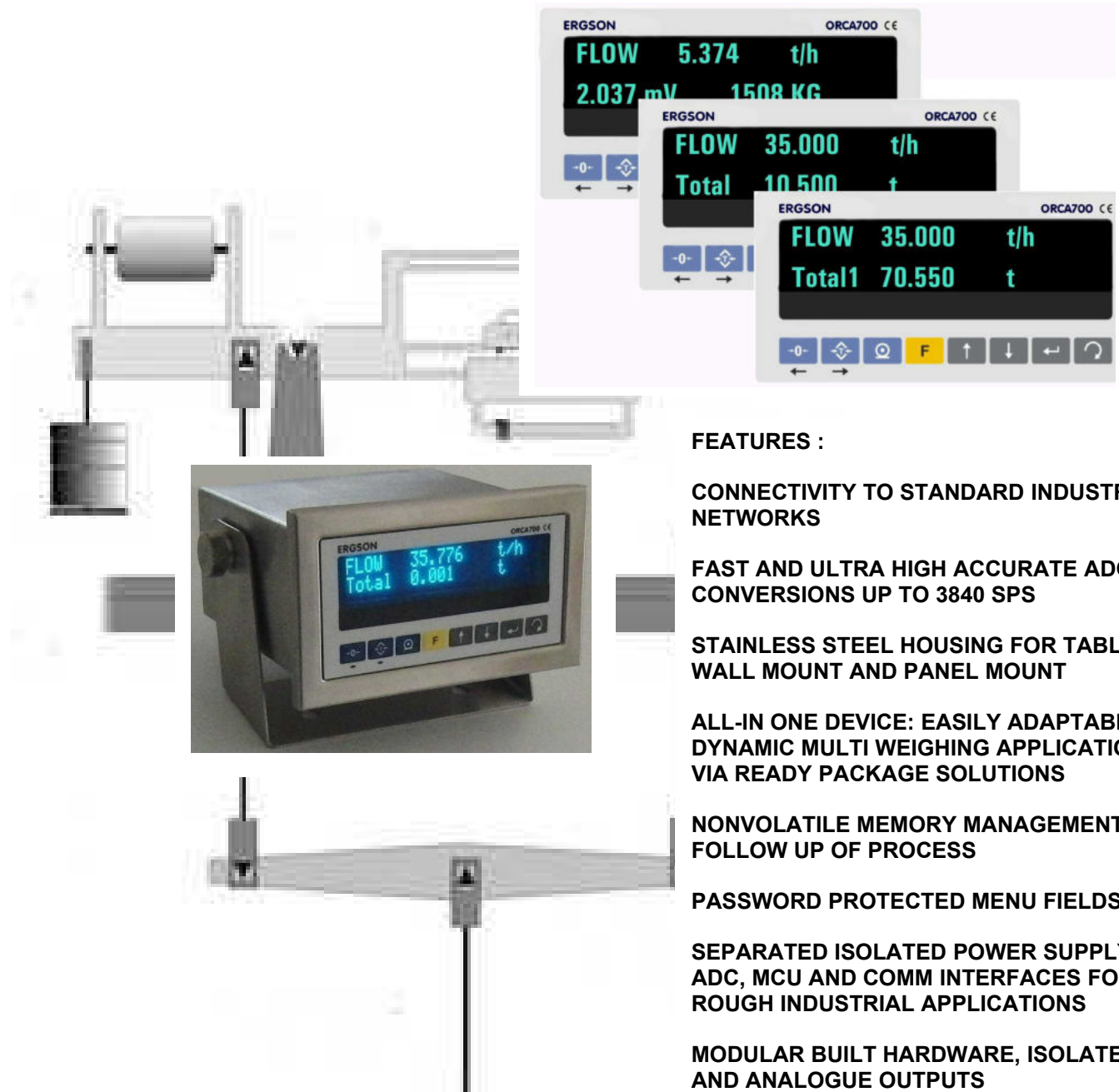




DYNAMIC WEIGHING CONTROLLER ORCA700s



FEATURES :

CONNECTIVITY TO STANDARD INDUSTRIAL NETWORKS

FAST AND ULTRA HIGH ACCURATE ADC WITH CONVERSIONS UP TO 3840 SPS

STAINLESS STEEL HOUSING FOR TABLE TOP, WALL MOUNT AND PANEL MOUNT

ALL-IN ONE DEVICE: EASILY ADAPTABLE FOR DYNAMIC MULTI WEIGHING APPLICATIONS VIA READY PACKAGE SOLUTIONS

NONVOLATILE MEMORY MANAGEMENT FOR FOLLOW UP OF PROCESS

PASSWORD PROTECTED MENU FIELDS

SEPARATED ISOLATED POWER SUPPLY FOR ADC, MCU AND COMM INTERFACES FOR ROUGH INDUSTRIAL APPLICATIONS

MODULAR BUILT HARDWARE, ISOLATED I/O AND ANALOGUE OUTPUTS

SIMPLE MENU STRUCTURE

ORCA700s is an embedded design integrated with a special load cell digitizer and controller for dynamic weighing applications. The embedded control functions, inputs and outputs make it an ideal device for multiple installations like flow slide weighers and belt scales.

TECHNICAL SPECIFICATIONS :

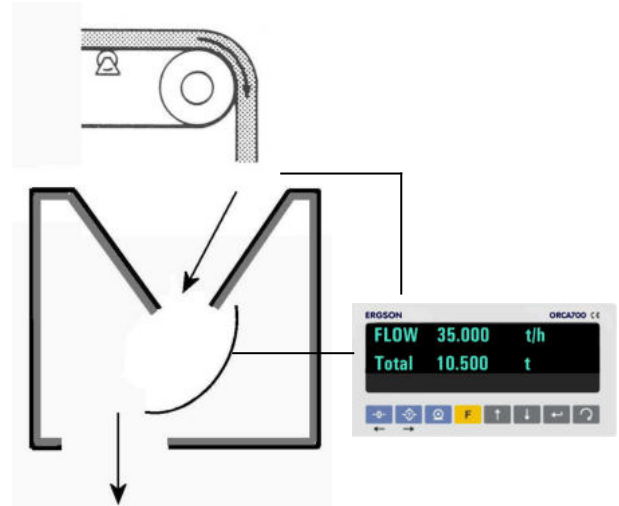
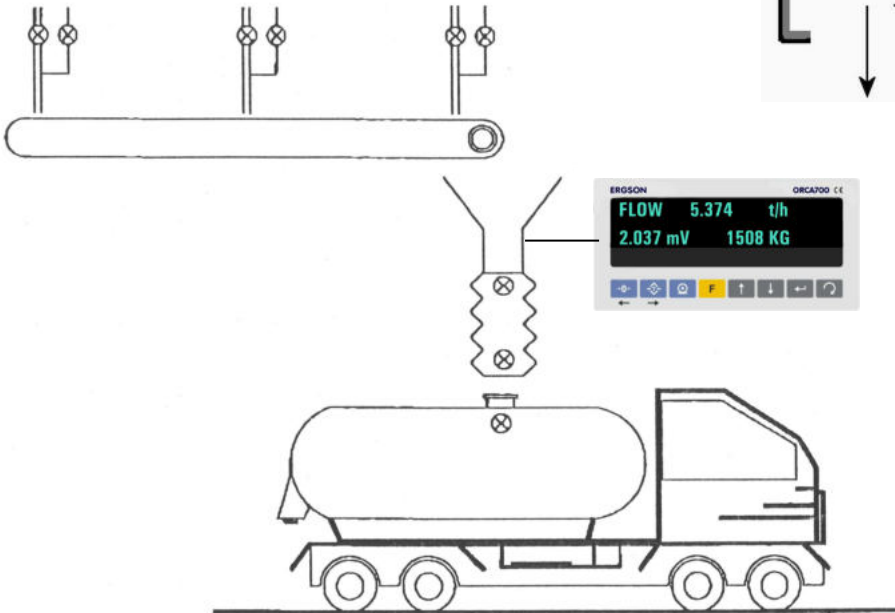
Accuracy Class :	OIML R76 Class III , 10000d
Internal Resolution :	16000000 (24 Bit ADC)
Power Supply :	10 – 24 VDC
Display :	6 Digits Full Bright High Contrast Blue LED
Conversions per second :	6,253840 SPS
ADC Linearity Error:	0.0007% FS
ADC Conversion Method :	Sigma Delta / Ratiometric to Excitation Sense
Load Cells Excitation Voltage :	5 VDC
Load Cell Connection :	4 or 6 wires. 8 pieces 350 ohm load cells. (120mA)
Minimum Input Voltage per VSI :	0,80 uV /e
Calibration Method:	Software controlled calibration which is kept in non –volatile memory
Signal Range :	0.1 mV/V - 3mV/V
Filter :	Adjustable between 6.25 - 100 Hz , Selectable 50 or 60 Hz Rejection
Zero:	Controlled Zero Correction , Manual and Automatic
Divisions :	1, 2, 5, 10, 20, 50, 100, 200, 500
Inputs / Outputs :	8/4 Optocoupler Isolated Inputs, 8/4 Relais Isolated Outputs , Pulse Input
Analogue Output :	Isolated 0-10V , 0-20 mA , 4-20mA . 16-bit DAC.
Analogue Inputs :	Environment sensor Inputs
Memory :	Alibi Memory (Flash 64Mb) including 720.000 ticket information. FRAM Memory 2Mb
RTC :	Real Time Clock , Battery Backup
Digital filter:	WEIGHTED MOVING AVERAGE, sudden load filter, load cell gain rate selection
Serial Ports :	2 Standard, RS232 and RS485 Full Duplex and Half Duplex
Communications :	RS232, RS422, RS485, Ethernet, USB, Modbus, Canbus and PROFIBUS DP protocols
Scale Operations :	MULTI RANGE , MULTI INTERVAL
SPECIAL EMBEDDED FUNCTIONS :	- FLOW SLIDE WEIGHER, BATCHING AND FILLING - INPUT AND OUTPUT OF BULK MATERIAL CONTROL - BELT SCALE - TICKET PRINTING
POWER CONSUMPTION :	15W, Maximum
Operating Temperature :	-10 to +40 °C Legal , -10 to +50 °C Industrial
Storage Temperature :	-10 to +70 °C
Country of Origin :	Germany



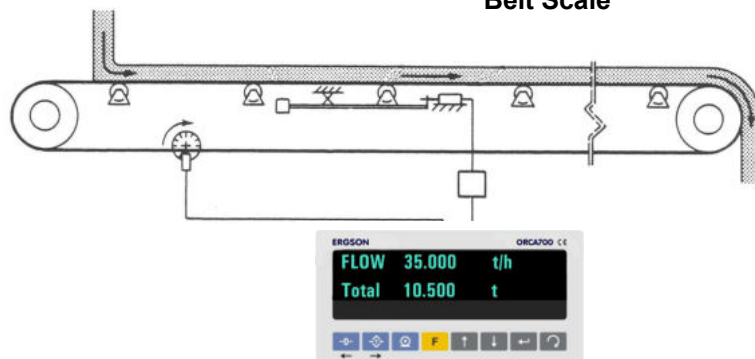
APPLICATION EXAMPLES :

**FLOW THROUGH-PUT CONTROLLER
WITH ENVIRONMENT SENSORS**

Truck Filling Station

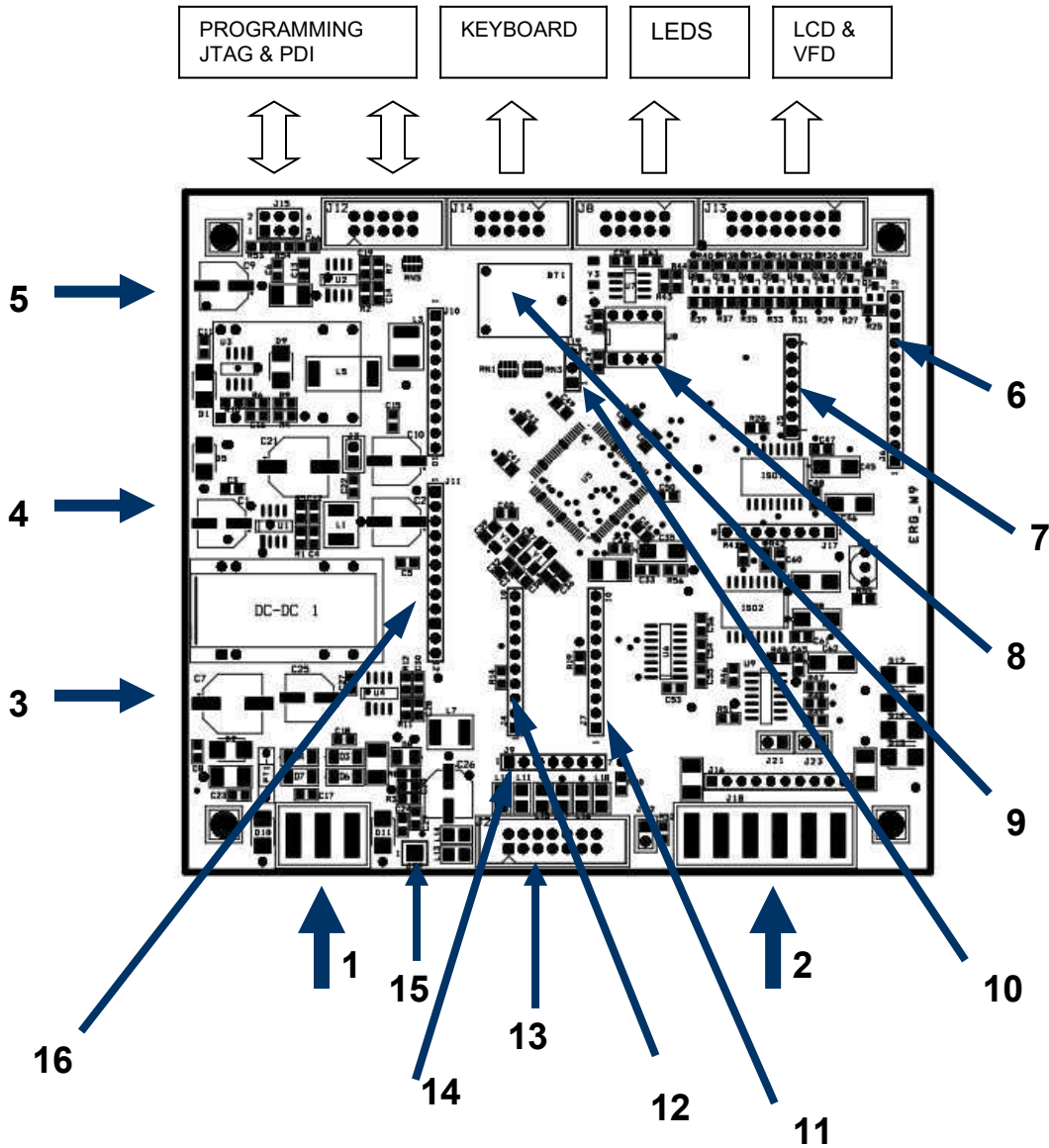


Belt Scale





ORCA700s MAINBOARD HARDWARE DESCRIPTION



- | | |
|--|----------------------|
| 1. Power Supply Input | 9. RTC Battery |
| 2. Load Cell Connection | 10. Cal. Switch Seal |
| 3. Isolated Supply for Serial Comm. | 11. ADC/DAC In/Out |
| 4. Isolated Supply for ADC | 12. Pulse Input |
| 5. Isolated Supply for CPU and Display | 13. Serial Comm's |
| 6. Analogue Output | 14. Field Bus Comm |
| 7. Flash Memory / SD Card | 15. Protection GND |
| 8. EEPROM Memory | 16. Inputs/Outputs |



STRUCTURE DIAGRAMME ORCA700s

